

**TTS** Inc  
TAG Technical Solutions, Inc

**CASK DATA SHEET**  
US DOT SPECIFICATIONS 7A  
TYPE A CASK

Model:

**14-212**

Empty cask (lbs) : 58,400  
Payload limit (lbs) : 20,000  
Loaded cask limit : 58,000

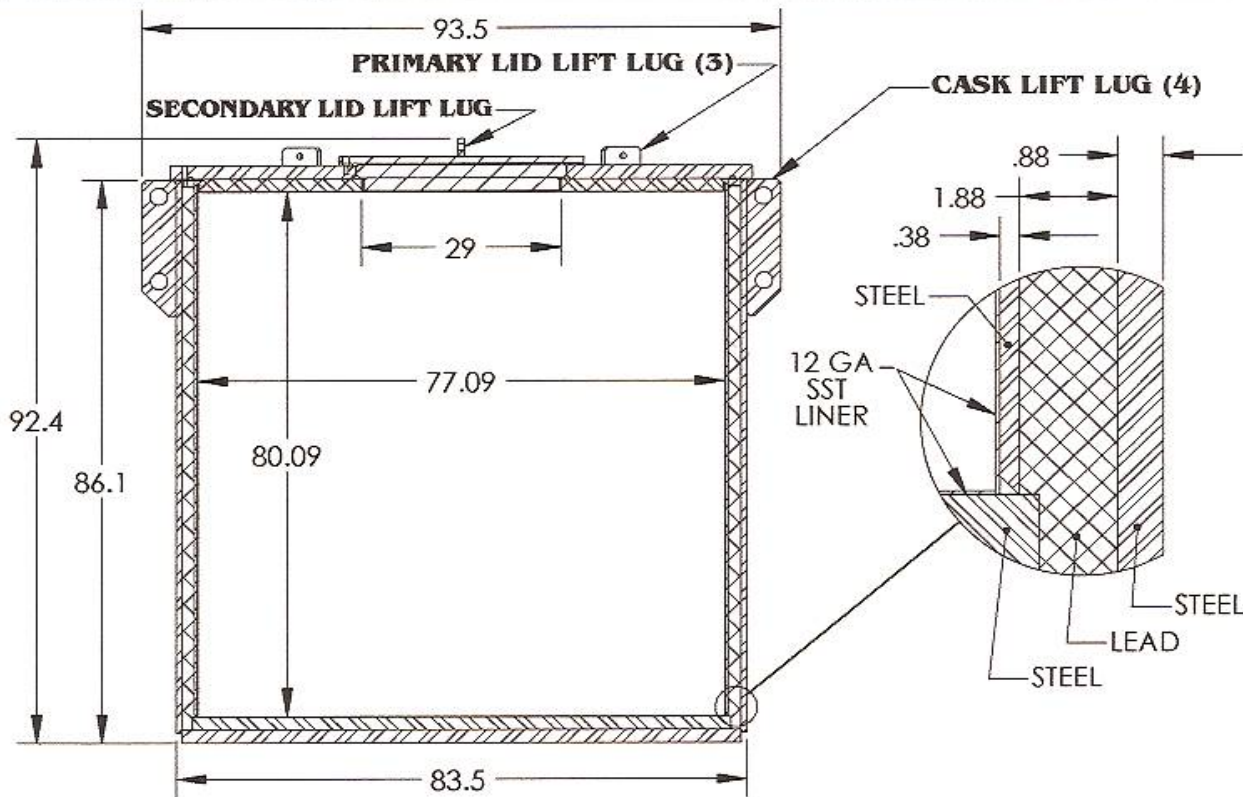
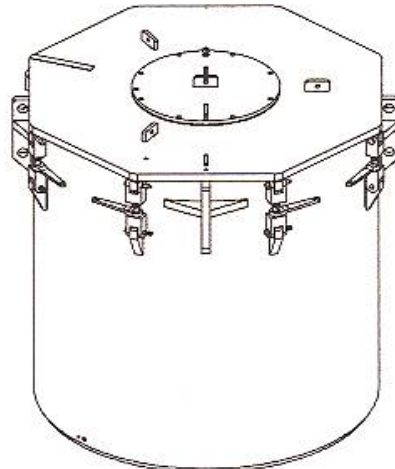
Operating procedure: 14-212-001

Primary lid torque (ft-lb) : 100 ± 10  
Secondary lid torque (ft-lb) : 100 ± 10

Drawing: TTS-0001B

Shielding (lead equivalent) : 2.8 inches

Compatible containers : See Table



**Disclaimer:** All data sheet information is intended to aid cask users. Users should verify container compatibility, clearance, shielding, etc. prior to use based on actual physical measurements. All dimensions are in inches.

**DATE:**  
05/04/04